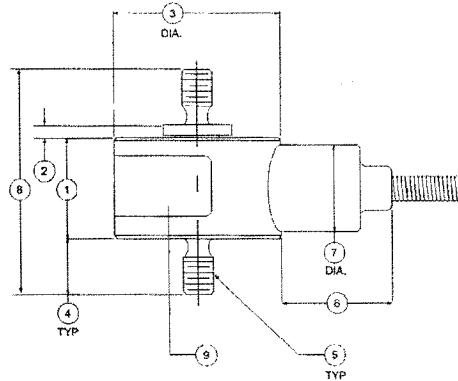


Calibration Certification and Installation Information



Dimensions, inch (mm)

See Drawing	CAPACITY (lbf)					
	5, 10		25, 50, 100		250, 500	
	inch	mm	inch	mm	inch	mm
1	0.45	11.40	0.52	13.21	0.52	13.21
2	0.06	1.50	0.12	3.05	0.03	0.76
3	0.75	19.10	1.00	25.40	1.00	25.40
4	0.25	6.40	0.25	6.40	0.38	9.70
5	6-32 UNC		10-32 UNC		1/4-28 UNF	
6	0.50	12.70	0.50	12.70	0.50	12.70
7	0.39	9.90	0.25	6.40	0.25	6.40
8	1.01	25.60	1.14	29.0	1.31	33.30
9	LABEL					

Electrical

Wire Color Code:
(Tension Upscale)

Red +Excitation
Green -Output
White +Output
Black -Excitation
Shield No Connection

Cable length: 5ft

Specifications

Safe Overload: (5, 10 lbf) 150 % CAP
Safe Overload: (25-500 lbf) 1000 % CAP
Nonrepeatability: 0.05% FS
Excitation, max: 12 V
Load Cell Material: Stainless Steel

Nonlinearity: 0.15% FS
Hysteresis: 0.15% FS
Compensated Temp Range: 60 to 160 °F
Operating Temp Range: -65 to 250 °F
Temperature Effect on Zero: 0.005% RO/°F

Interface, Inc., 7401 E. Butherus Dr., Scottsdale, AZ 85260, USA
Phone: 480-948-5555 FAX: 480-948-1924 www.interfaceforce.com