

# interface

ADVANCED FORCE MEASUREMENT



## WTS-AM

Acquisition Connectivity Module

Issue: 15-180 Revision A

User Manual

[www.interfaceforce.com](http://www.interfaceforce.com)

<b>Introduction / Overview</b> .....	<b>2</b>
<b>Getting Started</b> .....	<b>2</b>
Connecting Power .....	2
LED Indicator .....	2
Antenna Orientation.....	3
<b>Connecting Input Signals</b> .....	<b>3</b>
<b>Mounting Options</b> .....	<b>4</b>
<b>Specifications</b> .....	<b>4</b>
General Radio .....	4
WTS-AM .....	4
<b>Approvals</b> .....	<b>5</b>
CE.....	5
FCC .....	5
Industry Canada .....	5
<b>OEM / Reseller Marking and Documentation Requirements</b> .....	<b>6</b>
FCC .....	6
IC .....	6
CE.....	6
<b>Worldwide Regional Approvals</b> .....	<b>7</b>
<b>Warranty</b> .....	<b>7</b>

## Introduction / Overview

The WTS-AM provides a convenient way to provide power and connect to a load cell or high level output transducer.

The module provides a power via a pair of 'AA' cells, there is an LED transmission indicator which will also serve as a visual indication that there is sufficient battery power for operation.

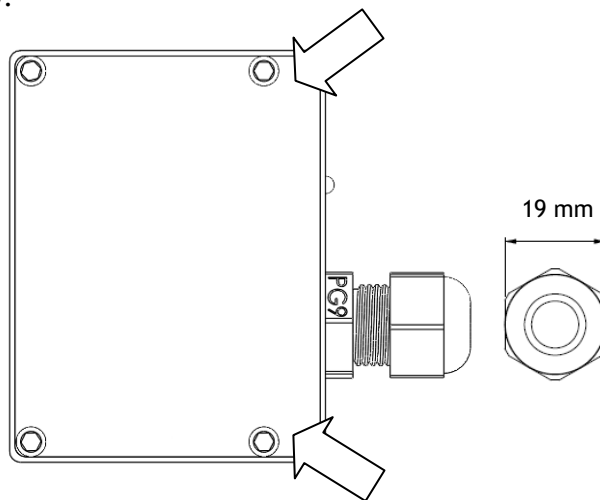
Connecting an input to the acquisition module is also made easier by utilizing screw terminals. The case is environmentally sealed to IP65.

## Getting Started

There are several versions of the WTS-AM depending on which type of input is required, therefore the type must be specified at the time of ordering.

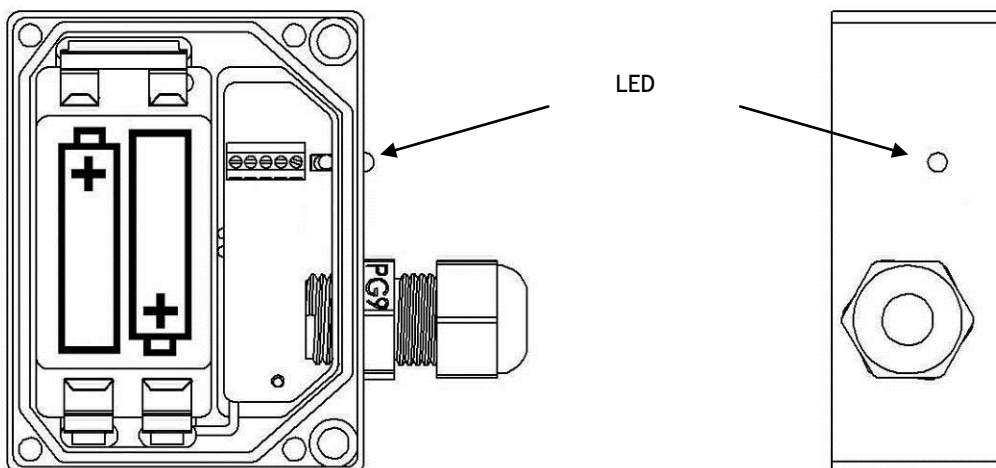
### Opening the Case

The case lid is secured with 4 x M3 Hexagon button head screws, remove the four screws and apply pressure in either off set corner as shown below.



### Connecting Power

Power can be supplied by installing 2 X 'AA' cell 1.5 Volt batteries.



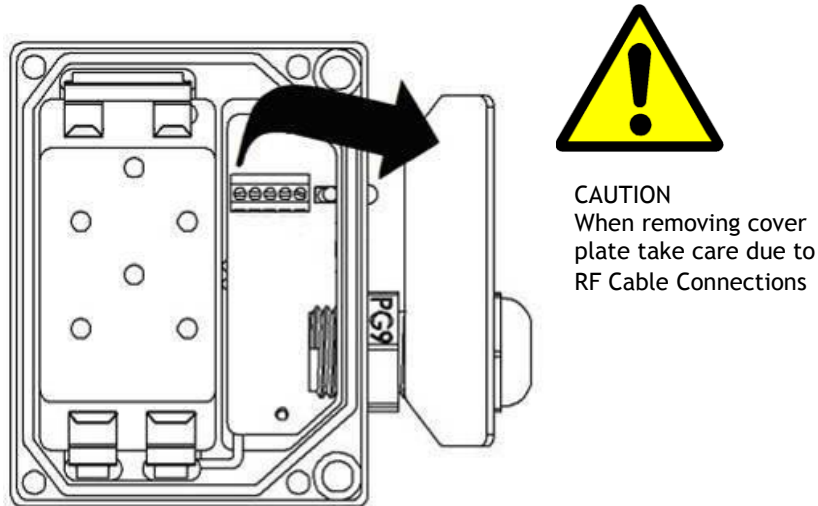
### LED Indicator

The WTS-AM has an LED to provide a visual indication of data transmission from the acquisition module inside. The LED flashes when ever a data transmission occurs.

## Antenna Orientation

The WTS-AM has a printed circuit board (PCB) antenna, when the lid is in place the antenna sits under the case lid toward the cable entry side of the module, this is a useful reference when orientating the module for optimum reception.

## Connecting Input Signals



The input connections are accessed by lifting the right hand cover plate, this plate incorporates the PCB Antenna; take extra care when re-assembling that the grey UHF cable remains attached to the antenna socket.

The connection of the input signals is dependent on what type of acquisition module is installed. Please refer to the table below.

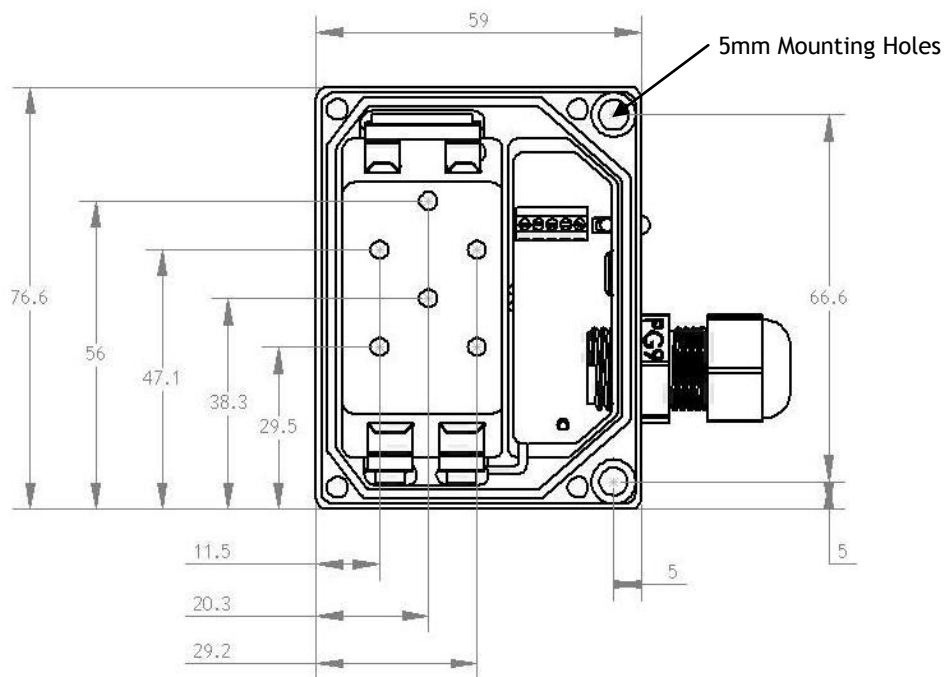
Acquisition Module	Screw Terminal	Function
WTS-AM-1 Bridge Input	1	Shield
	2	- Excitation
	3	-Signal
	4	+Signal
	5	+ 5V Excitation

Acquisition Module	Screw Terminal	Function
WTS-AM-2 Voltage Input (0-10V)	1	Shield
	2	-Excitation
	3	-V in
	4	+V in
	5	+ 5V Excitation

Acquisition Module	Screw Terminal	Function
WTS-AM-3 Current Input (0-20mA 4-20mA Calibrated)	1	Shield
	2	-Excitation
	3	-I in
	4	+I in
	5	+ 5V Excitation

Acquisition Module	Screw Terminal	Function
WTS-AM-4 Pulse Input (0.5 - 3,000 Hz)	1	Shield
	2	-Excitation (GND)
	3	Not Connected
	4	Pulse In
	5	+ 5V Excitation

## Mounting Options



The WTS-AM has two mounting holes as shown above; these mounting holes are external to the seal but still covered by the case lid to offer some environmental protection for the mounting screws. In addition mounting can be made through the back of the case however a seal or gasket must be used to maintain environmental protection.

## Specifications

### General Radio

	Min	Typical	Max	Units
License		License Exempt		
Modulation method		MS (QPSK)		
Radio type		Transceiver (2 way)		
Data rate		250		K bits/sec
Radio Frequency	2.4000		2.4835	GHz
Power		1		mw
Range			200 (650)	Metres (feet)*
Channels (DSSS)		16		

\* Maximum range achieved in open field site at a height of 3 metres above ground.

### WTS-AM

Parameter	Minimum	Typical	Maximum	Units
Battery Supply Voltage	2.1	3	3.6	VDC
Operating Temperature Range*	-40	-	+85**	°C
Storage Temperature Range	-40	-	+85	°C
Reverse polarity Protection		-	-32	Volts
Environmental protection with suitable cables exiting through cable glands.		IP65		

\*\*Batteries used may have reduced operating temperature range.

The specifications for the actual fitted acquisition module are listed in the acquisition module manual.

## Approvals

### CE



Complies with EMC directive. 2004/108/EC  
The Radio Equipment and Telecommunications Terminal Equipment (R&TTE) Directive,  
1999/5/EC,

#### European Community, Switzerland, Norway, Iceland, and Liechtenstein

- English: This equipment is in compliance with the essential requirements and other relevant provisions of Directive 1999/5/EC.
- Deutsch: Dieses Gerät entspricht den grundlegenden Anforderungen und den weiteren entsprechenden Vorgaben der Richtlinie 1999/5/EU.
- Dansk: Dette udstyr er i overensstemmelse med de væsentlige krav og andre relevante bestemmelser i Direktiv 1999/5/EF.
- Español: Este equipo cumple con los requisitos esenciales así como con otras disposiciones de la Directiva 1999/5/EC.
- Français: Cet appareil est conforme aux exigences essentielles et aux autres dispositions pertinentes de la Directive 1999/5/EC.
- Íslenska: Þessi búnaður samrýmist lögboðnum kröfum og öðrum ákvæðum tilskipunar 1999/5/ESB.
- Italiano: Questo apparato è conforme ai requisiti essenziali ed agli altri principi sanciti dalla Direttiva 1999/5/EC.
- Nederlands: Deze apparatuur voldoet aan de belangrijkste eisen en andere voorzieningen van richtlijn 1999/5/EC.
- Norsk: Dette utstyret er i samsvar med de grunnleggende krav og andre relevante bestemmelser i EU-direktiv 1999/5/EC.
- Português: Este equipamento satisfaz os requisitos essenciais e outras provisões da Directiva 1999/5/EC.
- Suomalainen: Tämä laite täyttää direktiivin 1999/5/EY oleelliset vaatimukset ja on siinä asetettujen muidenkin ehtojen mukainen.
- Svenska: Denna utrustning är i överensstämmelse med de väsentliga kraven och andra relevanta bestämmelser i Direktiv 1999/5/EC.

This equipment is in compliance with the essential requirements and other relevant provisions of Directive 1999/5/EC.

### FCC



Family: RAD24

Models: i and e for internal and external antenna variants. For antenna T24-ANTA and T24-ANTB

FCC ID: VHARAD24

This device complies with Part 15c of the FCC Rules. Operation is subject to the following two conditions: (1) this device may not cause harmful interference, and (2) this device must accept any interference received, including interference that may cause undesired operation.

**CAUTION:** If the device is changed or modified without permission from Interface Electronics Ltd, the user may void his or her authority to operate the equipment.

### Industry Canada



Industry Industrie  
Canada Canada

Models: i and e for internal and external antenna variants. For antenna T24-ANTA and T24-ANTB

IC: 7224A-RAD24

This apparatus complies with RSS-210 - Low-power Licence-exempt Radio communication Devices (All Frequency Bands): Category I Equipment RSS.

## OEM / Reseller Marking and Documentation Requirements

### FCC

The Original Equipment Manufacturer (OEM) must ensure that FCC labelling requirements are met. This includes a clearly visible label on the outside of the final product enclosure that displays the contents as shown:

Contains FCC ID:VHARAD24

This device complies with Part 15 of the FCC Rules. Operation is subject to the following two conditions:

- (1) this device may not cause harmful interference and
- (2) this device must accept any interference received, including interference that may cause undesired operation.

The acquisition modules have been tested with only certain antenna types. When integrated in OEM products, fixed antennas require installation preventing end-users from replacing them with non-approved antennas. Antennas other than previously tested types must be tested to comply with FCC Section 15.203 (unique antenna connectors) and Section 15.247 (emissions).

Acquisition modules have been certified by the FCC for use with other products without any further certification (as per FCC section 2.1091). Changes or modifications not expressly approved by Interface could void the user's authority to operate the equipment.

In order to fulfil the certification requirements, the OEM must comply with FCC regulations:

1. The system integrator must ensure that the text on the external label provided with this device is placed on the outside of the final product.
2. The acquisition modules with external antennas may be used only with Approved Antennas that have been tested by Interface.

### IC

Labelling requirements for Industry Canada are similar to those of the FCC. A clearly visible label on the outside of the final product enclosure must display the following text:

Contains Model RAD24 Radio (2.4 GHz), IC:7224A-RAD24

Integrator is responsible for its product to comply with RSS-210 - Low-power Licence-exempt Radio communication Devices (All Frequency Bands): Category I Equipment RSS.

### CE

The WTS series has been certified for several European countries.

If the acquisition module is incorporated into a product, the manufacturer must ensure compliance of the final product to the European harmonized EMC and low-voltage/safety standards. A Declaration of Conformity must be issued for each of these standards and kept on file as described in Annex II of the R&TTE Directive.

Furthermore, the manufacturer must maintain a copy of the WTS device user manual documentation and ensure the final product does not exceed the specified power ratings, antenna specifications, and/or installation requirements as specified in the user manual. If any of these specifications are exceeded in the final product, a submission must be made to a notified body for compliance testing to all required standards.

#### OEM Labelling Requirements

The 'CE' marking must be affixed to a visible location on the OEM product.



The CE mark shall consist of the initials "CE" taking the following form:

- If the CE marking is reduced or enlarged, the proportions given in the above graduated drawing must be respected.
- The CE marking must have a height of at least 5mm except where this is not possible on account of the nature of the apparatus.
- The CE marking must be affixed visibly, legibly, and indelibly.

## Worldwide Regional Approvals

Europe	CE
USA	FCC
Canada	IC
Australia	To Be Determined
China	To Be Determined
Japan	To Be Determined

### Important Note

Interface does not list the entire set of standards that must be met for each country. Interface customers assume full responsibility for learning and meeting the required guidelines for each country in their distribution market. For more information relating to European compliance of an OEM product incorporating the WTS range of modules, contact Interface.

### Warranty

All Telemetry products from Interface Force inc., ('Interface') are warranted against defective material and workmanship for a period of (1) one year from the date of purchase.

If the 'Interface' product you purchase appears to have a defect in material or workmanship or fails during normal use within the period, please contact your Distributor, who will assist you in resolving the problem. If it is necessary to return the product to 'Interface' please include a note stating name, company, address, phone number and a detailed description of the problem. Also, please indicate if it is a warranty repair.

The sender is responsible for shipping charges, freight insurance and proper packaging to prevent breakage in transit.

'Interface' warranty does not apply to defects resulting from action of the buyer such as mishandling, improper interfacing, operation outside of design limits, improper repair or unauthorised modification.

No other warranties are expressed or implied. 'Interface' specifically disclaims any implied warranties of merchantability or fitness for a specific purpose. The remedies outlined above are the buyer's only remedies.

'Interface' will not be liable for direct, indirect, special, incidental or consequential damages whether based on the contract, tort or other legal theory.

Any corrective maintenance required after the warranty period should be performed by 'Interface' approved personnel only.

*In the interests of continued product development, Interface Inc. reserves the right to alter product specifications without prior notice.*