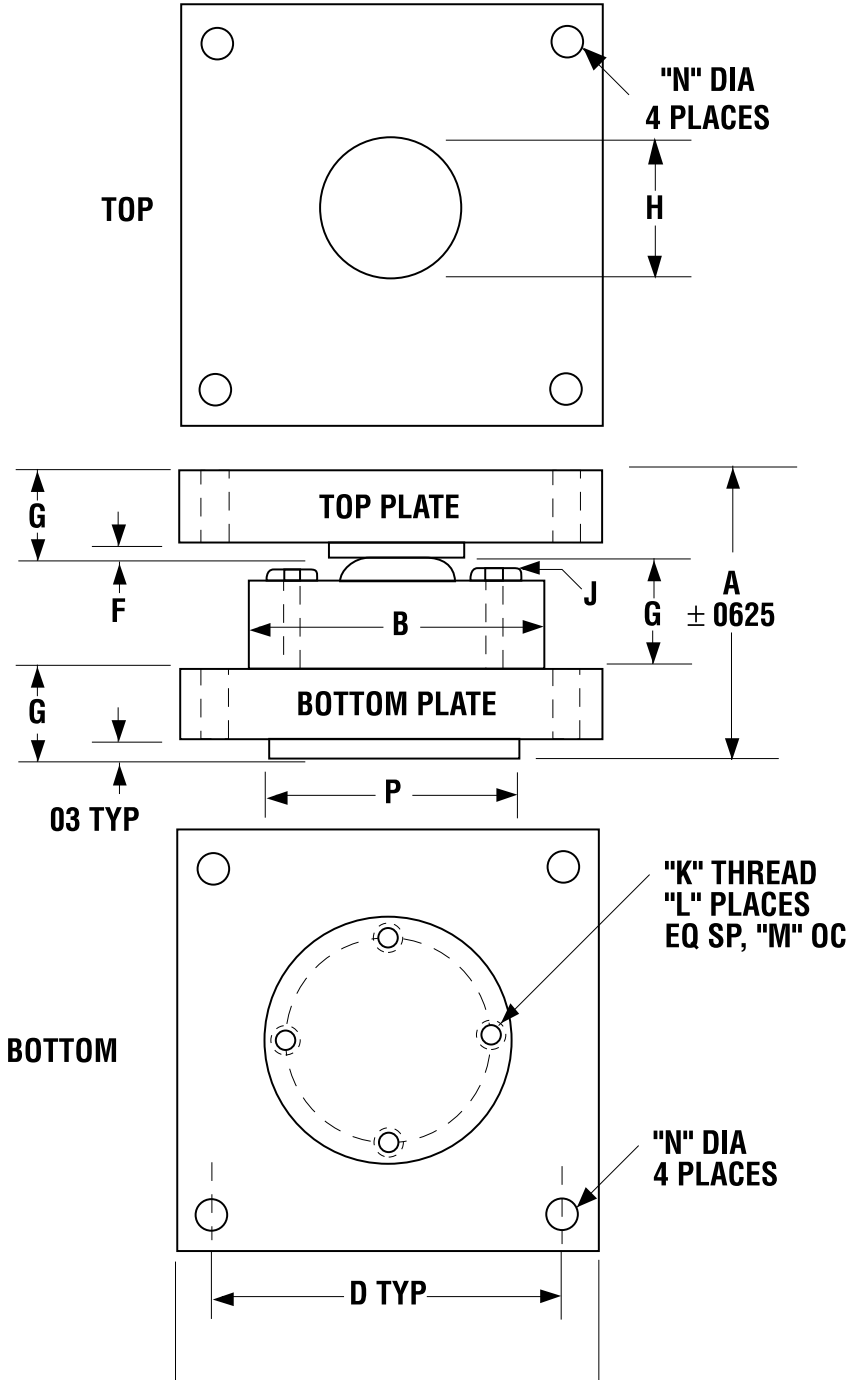


*Mounting Plate diagram for Low Profile™ Load Cells



**See page 172 of the current Interface product catalog or visit www.interfaceforce.com/accessories/mountingPlates.html*